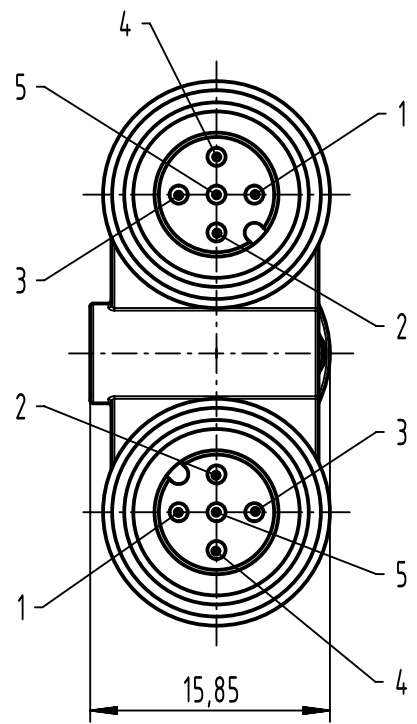
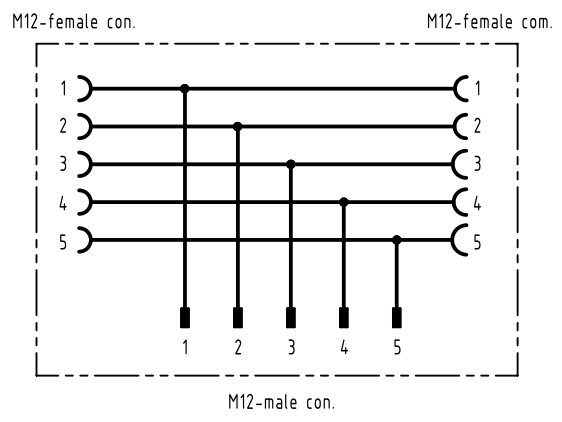
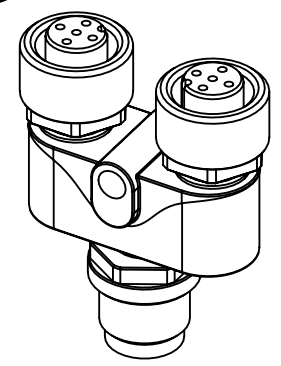
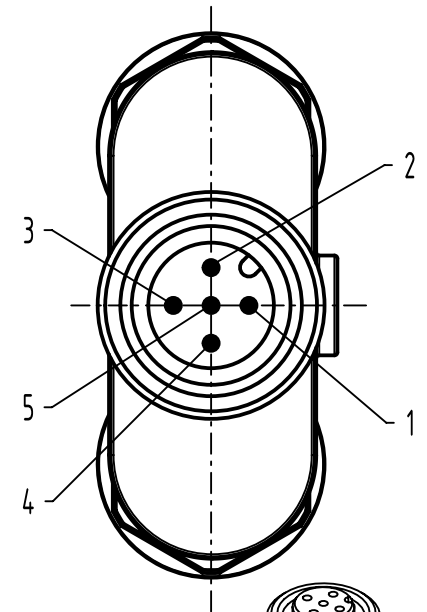
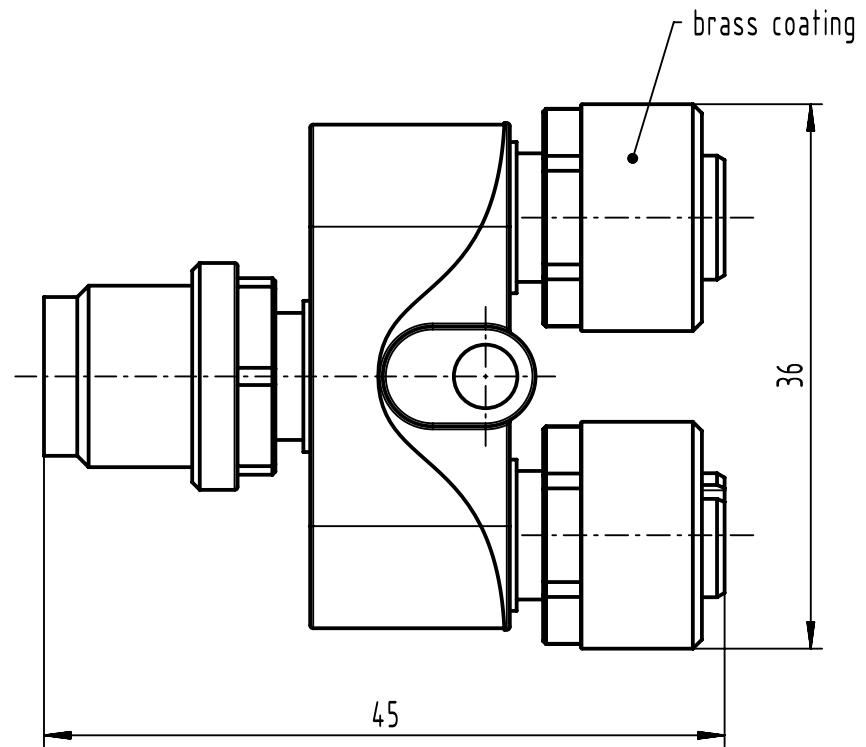



1 2 3 4 5 6

A
B
C
D



schematic diagram



	All rights reserved Department EL PD	All Dimensions in mm Original Size DIN A4	Scale 2:1	Free size tol. ISO 2768-m	Ref. Sub.	
		HARTING D-32339 Espelkamp	Created by EISFELD	Inspected by 104.122	Standardisation	Date 2021-08-31
Title M12-ADPT-M12/M12-5/5P-ACOD-M/F/F-STR					Doc-Key / ECM-Nr. 100530639/UGD/000/D 500000201914	
Type TB				Number 21033219400	Rev. D	Page 1/1